

Amazing Water

Purifying
Moving
Designing
Vitalising
Illuminating
Installing



LED floodlights and recessed floodlights

Programme and technical specifications 2024

WATER LIGHTING



LED floodlights.



LED RGBW floodlights.



LED recessed floodlights.



Light and water, a symbiosis that holds an incredible power of attraction for us all. The magic of light enhances the soothing character of water, whatever its form.

AUGA's range includes floodlights, recessed floodlights and installation equipment for connecting and operating floodlights.

LED floodlights series LSX, quality is the benchmark

LSX LED floodlights are professional underwater spotlights for illuminating fountains, waterfalls, ornaments and object lighting in general. The high quality of these floodlights translates into a long service life, high light output and low power consumption.

LSX technology explained in more detail

- -Only A-brands from Cree®, Epistar® or Edison® are used for the LED light chips.
- The housing and PCB (electronics) bottom plate are thick-walled to optimally dissipate the heat from the LEDs and electronics, this contributing to the longer life of the floodlights.
- All spotlights are made of 316L stainless steel.
- 8 mm toughened cover glass.
- Lifespan of the LEDs is 50,000+ lighting hours.
- L-standard-70, which means that the light output after the lifespan remains at least 70%.
- Built-in polarity protection protects electronics if + and - connections are mistakenly swapped.
- Spotlights cast in synthetic resin, fully waterproof IP 68.

LSX spotlights operate on 24 V direct current (DC), which is a stable, constant voltage compared to alternating current (AC), where voltage fluctuations can affect the life of LED fittings.

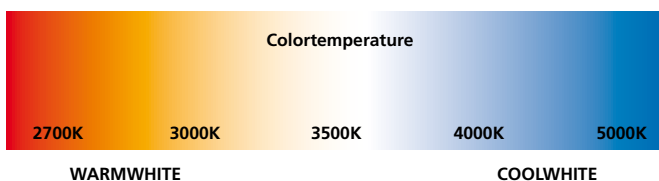
Safe low voltage

24 V DC falls well within the NEN 1010 standard for application of electrical devices in swimming pools and swimming ponds. A maximum voltage of 12 V applies to devices with alternating current (AC). We explain the advantages of choosing 24 V DC;

- Stable voltage, no voltage peaks.
- Voltage losses are much lower.
- Longer cable lengths possible.
- Smaller cable diameter required, lower investment costs.
- Lower amperage, less heat generation.
- Larger spotlight powers applicable.

Warm White

LSX floodlights with white illumination are designed with 3000 K, warm white. The program includes floodlights up to 6500 K.



RGBW

The LSX-RGBW floodlights feature 4-in-1 LED chips with basic colours Red-Green-Blue-White.

With RGBW all colours can be achieved, including just white light.

The floodlight is controlled by an RGBW Controller built into a control box. For operation you can choose from a remote control or a touchscreen colour panel that can be manually set in the control box.



Lighting angle

The standard lighting angle of LSX floodlights is 30°; the bundled light is ideally suited for illuminating fountains.

Floodlights can optionally be supplied with a light angle of: 10°- 45°- 60°- 90°



LSX floodlights comply with EU regulations

EMC: The EMC directive limits electromagnetic emissions from equipment to ensure that the equipment does not interfere with radio and telecommunications equipment and other material.

Rohs: EU directive aimed at restricting the use of certain hazardous substances in electrical and electronic equipment.

CE: CE mark indicates that a product meets all EU requirements in terms of health, safety and environmental protection



Warranty

AUGA provides a 3-year product warranty for LSX LED floodlights.



LED floodlights LSX-WW Warm White

LSX LED floodlights are professional underwater spotlights for illuminating fountains, waterfalls, ornaments and object lighting in general.

Type	LED number W	Power cons. W	Voltage V	Colour temp. K	Lighting angle	Floodlight dimensions ø x H ¹ mm	Housing stainless steel	Power cable ² m	IP class	Art. no.
LS 9 WW	3 x 3	9	24 DC	3000	30	74 x 39	316L	1.5	68	301118
LS 18 WW	6 x 3	18	24 DC	3000	30	120 x 60	316L	1.5	68	301120
LSX 27 WW	9 x 3	27	24 DC	3000	30	150 x 65	316L	1.5	68	301122
LSX 36 WW	12 x 3	36	24 DC	3000	30	175 x 65	316L	1.5	68	301124
LSX 54 WW	18 x 3	54	24 DC	3000	30	200 x 65	316L	1.5	68	301126

¹ Size excl. bracket.

² Other cable length possible.



LSX technical specifications

- Lighting hours: 50,000+.
- L standard: 70.
- Stainless steel 316 L housing.
- LED Chip brand: Cree® / Edison® / Epistar®.
- Toughened cover glass 8 mm.
- Suitable for use above and below water.
- Built-in polarity protection.
- Dimmable by external dimmer (optional).
- CE/EMC/RoHS certified.

Scope of delivery

- 1 LED floodlight LSX with 1.5 m power cable.
- 1 Floodlight bracket.

Warranty

Three-year warranty in accordance with the General Conditions.

Type	Optimum illumination up to (m)									
	1	2	3	4	5	6	7	8	9	10
LSX 9	■	■	■	■						
LSX 18	■	■	■	■	■					
LSX 27	■	■	■	■	■	■				
LSX 36	■	■	■	■	■	■	■	■		
LSX 54	■	■	■	■	■	■	■	■	■	■

Control LED lighting, see from page 22.

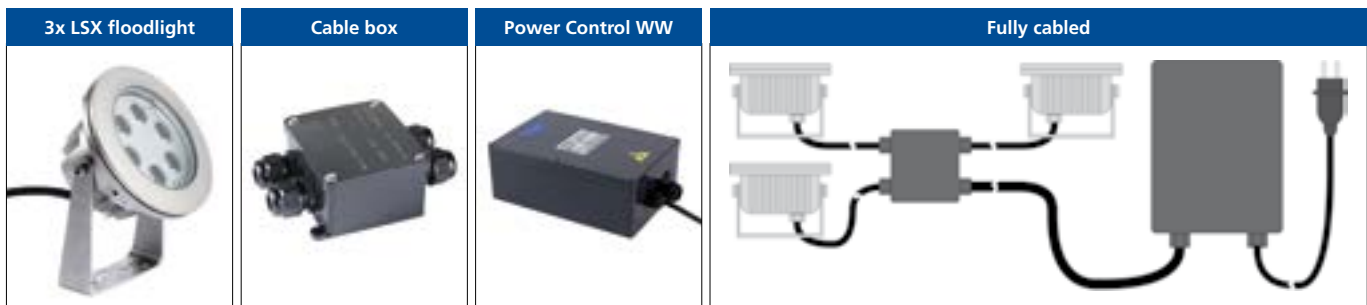
LED floodlight set with 3 floodlights LSX-3 WW warm white

Fully wired spotlight sets incl. Power-Control, ideally suited for mounting on fountain sets.

Type	Power consumption W	Power cable ² m	Article number
LSX 9 - 3 WW	27	3 x 1.5 – 1 x 20	104044
LSX 18 - 3 WW	54	3 x 1.5 – 1 x 20	104042
LSX 27 - 3 WW	81	3 x 1.5 – 1 x 20	104046
LSX 36 - 3 WW	108	3 x 1.5 – 1 x 20	104048
LSX 54 - 3 WW	162	3 x 1.5 – 1 x 20	104050

² Other cable length possible.

Fountains with LSX WW lighting sets



LSX technical specifications

- Lighting hours: 50,000+.
- L standard: 70.
- Stainless steel 316 L housing.
- LED Chip brand: Cree® / Edison® / Epistar®.
- Toughened cover glass 8 mm.
- Suitable for use above and below water.
- Built-in polarity protection.
- Dimmable by external dimmer (optional).
- CE/EMC/RoHS certified.

Scope of delivery

- 3 LED floodlights LSX with bracket and 1.5 m power cable.
- Underwater black cable box, cast waterproof with synthetic resin.
- 20-metre underwater cable connected to cable box.
- Transformer box 230/24V DC fitted with 1.5-metre power cord with plug.

Warranty

Three-year warranty in accordance with the General Conditions.

Expansion control LED lighting, see page 30.

Light holder LSX-Fix



Optional: Light holder LSX-Fix for mounting on riser pipe with fixed fountain sets. art. no. FT 51147

LED floodlights LSX-RGBW

RGBW is the trend - with these spotlights any colour, colour change and colour change rate can be achieved in combination with the required control, which is offered as an option. Each LED chip features the colours Red-Green-Blue-White. With this combination the choice from the colour spectrum is huge.

Type	LED chips number W	Power cons. W	Voltage V	Lighting angle	Floodlight dimensions ø x H ¹ mm	Housing stainless steel	Power cable ² m	IP class	Art. no.
LS 12 RGBW	3 x 4	12	24 DC	30	74 x 39	316L	1.5	68	301119
LS 24 RGBW	6 x 4	24	24 DC	30	120 x 60	316L	1.5	68	301121
LS 32 RGBW	8 x 4	32	24 DC	30	150 x 65	316L	1.5	68	301123
LS 48 RGBW	12 x 4	48	24 DC	30	175 x 65	316L	1.5	68	301125
LS 72 RGBW	18 x 4	72	24 DC	30	200 x 65	316L	1.5	68	301127

¹ Size excl. bracket.

² Other cable length possible.



Technical specifications LSX-RGBW

- Lighting hours: 50,000+.
- L standard: 70.
- Stainless steel 316 L housing.
- RGBW LED Chip brand: Cree® / Edison® / Epistar®.
- Toughened cover glass 8 mm.
- Suitable for use above and below water.
- Built-in polarity protection.
- CE/EMC/RoHS certified.

Scope of delivery

- 1 LED floodlight LSX-RGBW with 1.5 m power cable.
- 1 Floodlight bracket.

Warranty

Three-year warranty in accordance with the General Conditions.

Control LED lighting, see from page 22.

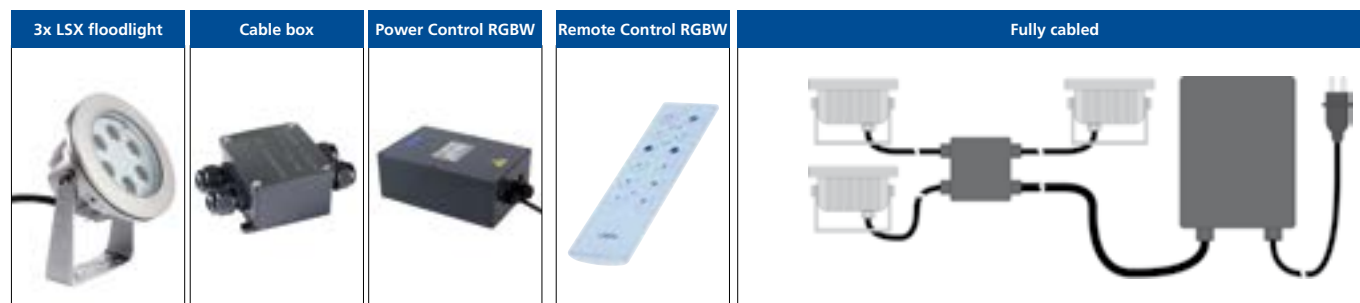
LED floodlight set with 3 floodlights LSX RGBW

Fully wired spotlight sets incl. Power-Control, ideally suited for mounting on fountain sets.

Type	Power consumption W	Power cable ² m	Article number
LSX 12 - 3 RGBW	36	3 x 1.5 – 1 x 20	104045
LSX 24 - 3 RGBW	72	3 x 1.5 – 1 x 20	104043
LSX 32 - 3 RGBW	96	3 x 1.5 – 1 x 20	104047
LSX 48 - 3 RGBW	144	3 x 1.5 – 1 x 20	104049
LSX 72 - 3 RGBW	216	3 x 1.5 – 1 x 20	104051

² Other cable length possible.

LSX-3 RGBW lighting set with the main colours Red/Green/ Blue/White



Technical specifications LSX RGBW

- Lifespan + 50,000 H.
- Stainless steel 316 L housing.
- RGBW LED Chip brand: Cree® / Edison® / Epistar®.
- Toughened cover glass 8 mm.
- Suitable for use above and below water.
- Built-in polarity protection.
- CE/EMC/RoHS certified.

Scope of delivery

- 3 LED floodlights LSX-RGBW with bracket and 1.5 m power cable.
- Underwater black cable box, cast waterproof with synthetic resin.
- 20-metre power cable connected to cable box.
- RGBW Controller box 230/24V DC equipped with 1.5-metre power cord with plug.
- RGBW Remote Controller > range up to approx. 20 metres without obstacles.

Warranty

Three-year warranty in accordance with the General Conditions.

Expansion control LED lighting, see page 30.



VarioLed floodlight warm white

Compact LED floodlight equipped with 3W PowerLed, a quality floodlight for use in the garden or pond.

Type	LED W	Voltage V	Colour temperature K	Floodlight dimensions (cm)	Power cable m	Art. no.
VarioLed 3 W	3	230/12	3000	∅ 8 - ↑ 7.5	7.5	301024

- LED floodlight warm white 3000 K.
- Lifespan up to 25,000 hours.
- Plastic housing.
- Suitable for use above and below water.

Optimum illumination up to (m)

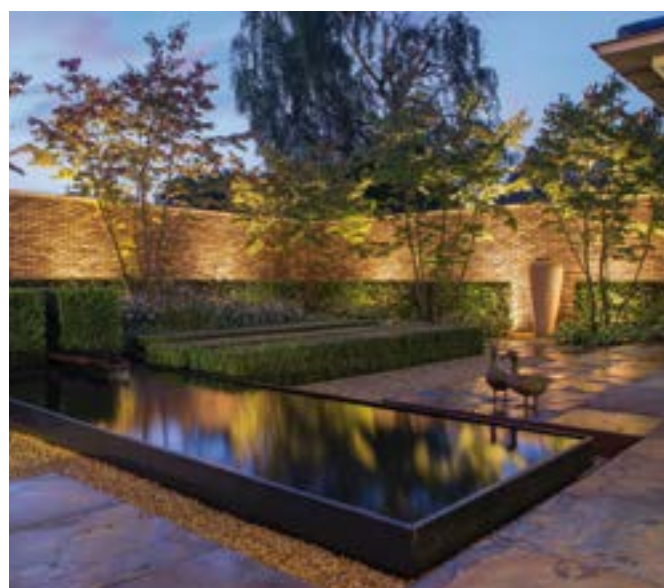
Type	1	2
VarioLed 3	■	■

Scope of supply 1 x 3W

- 1 LED floodlight 3 W with a 7.5-metre power cable and plug connection.
- Transformer socket IP x 4 (for outdoor use).
- Earth pin, base/wall bracket, ball joint and clip for fixing to a riser pipe (up to ∅ 25 mm).

Warranty

Two-year warranty in accordance with the General Conditions.



VarioLed floodlight set warm white

Compact LED floodlight set for atmospheric lighting above or below water.

Type	LED W	Voltage V	Colour temperature K	Floodlight dimensions (cm)	Power cable m	Art. no.
VarioLed 3 x 3 W	3 x 3	230/12	3000	ø 8 - ↑ 7.5	7.5 (3x)	301025

- LED floodlight warm white 3000 K.
- Lifespan up to 25,000 hours.
- Plastic housing.
- Suitable for use above and below water.

Optimum illumination up to (m)				
Type		1	2	
VarioLed 3				

Scope of supply 3 x 3W

- 3 LED floodlights 3 W, each with a 7.5-metre power cable and plug connection.
- Transformer socket IP x 4 (for outdoor use).
- Power strip with one transformer connection and 3 floodlight connections.
- 3 x earth pins, base/wall bracket, ball joint and clip for fixing to a standpipe (up to ø 25 mm).

Warranty

Two-year warranty in accordance with the General Conditions.





A water feature turns into a black hole in the evening if it isn't illuminated. With recessed LED lighting you can extend time spent in the garden or swimming pond well into the evening hours.



*LED wall
built-in floodlights*

iDX en WDX recessed LED floodlights for ponds, swimming lakes and swimming pools



Lights on!

In the summer evening hours, it's 'quality time' in and around the swimming pond!

An illuminated water feature greatly enhances the atmosphere and extends the stay into the late evening hours. With our LED floodlight range, this is quite easy to achieve.

Compact floodlights with high light output

iDX and WDX LED recessed floodlights are easy to install with the matching wall ducts, which are suitable for all types of film pools. The costs are a fraction of the overall swimming pond project and don't outweigh the long-term enjoyment gained from it. Moreover, the power consumption of high-quality LED floodlights is very low.

The high light output is achieved with high-quality COB LED Chips technology. A large number of tiny LED chips are positioned so close together that it can be perceived as a uniform beam of light.

iDX or WDX

The WDX 15 and 50 are equipped with a wide stainless steel edging, which completely covers the black wall duct with screws. An aesthetic solution that will certainly be preferred for coloured film baths, as the black wall duct is not visible.

However, the most commonly used pond liner is anthracite-coloured EPDM and the iDX floodlights are suitable for this. The wide stainless steel edging is not present in these floodlights, is less noticeable and it results in a lower purchase price.

The technology at a glance

- The housing is made of thick-walled 316L stainless steel for optimum heat dissipation and suitable for salt/chlorinated water.
- Toughened cover glass.
- 24 V (DC) direct current.
- Fully waterproof encapsulated with synthetic resin, protection class IP 68.
- COB-LED technology guarantees 50,000+ burning hours. Even after this, the light output is still 70% because we only use A-brand LED chip modules.

Safe low voltage for swimming ponds and swimming pools

iDX-WDX floodlights operate on 24 V direct current (DC), which is a stable, constant voltage compared to alternating current (AC), where voltage fluctuations can affect the life of LED fittings.

24 V DC falls well within the NEN 1010 standard for application of electrical devices in swimming pools and swimming ponds. A maximum voltage of 12 V applies to devices with alternating current (AC).

iDX 6 recessed LED floodlight

Accent recessed floodlight, easy mounting with WDM 50 wall duct set.

Type	Power consumption W	Voltage V	Cable m	Lighting angle	Colour K	Class IP	Body	Art. no.
iDX 6	6	24 V-DC	7.5 / 1.0	120°	3000	68	316 L	301035

Flange diameter	Installation diameter	Total length	Power cable	Outer cable diameter
ø 43 mm	ø 30 mm	65 mm	2 x 0.75 mm ²	ø 7 mm - H05RN-F



- High-power COB LED, warm white, manufacturer Cree®.
- Solid 316 L stainless steel housing.
- Fixed cast-in cable connection prevents penetration of moisture.
- 24 V-DC direct voltage.
- Built-in pole changing protection.
- Dimmable (with optional LED dimmer).
- Build in iDX 6 with WDM 50 wall duct set.
Art. no. 901044.
- CE/EMC/RoHS certified.

Warranty

Three-year warranty in accordance with the General Conditions.

Optimum illumination up to (m)							
Type	1	2	3	4	5	6	
iDX 6							

Control LED lighting, see from page 22.

iDX 15 LED recessed floodlight

Powerful recessed floodlight, mounting with WD 50 wall duct and cable sealer.

Type	Power consumption W	Voltage V	Cable m	Colour K	Lighting angle	Class IP	Body	Art. no.
iDX 15	15	24 V-DC	7.5 / 1.0	3000	120°	68	316 L	301036

Flange diameter	Installation diameter	Total length	Power cable	Outer cable diameter
ø 600 mm	ø 50 mm	70 mm	2 x 0.75 mm ²	ø 7 mm - H05RN-F



- High-power COB LED, warm white, manufacturer Cree®.
- Solid 316 L stainless steel housing.
- Fixed cast-in cable connection prevents penetration of moisture.
- 24 V-DC direct voltage.
- Built-in pole changing protection.
- Dimmable (with optional LED dimmer).
- Build in iDX 15 with WD 50 wall duct.
Art.no. 901045 and cable sealer art.no. 901047.
- CE/EMC/RoHS certified.

Warranty

Three-year warranty in accordance with the General Conditions.

Optimum illumination up to (m)							
Type	1	2	3	4	5	6	
iDX 15	■	■	■	■	■	■	

Extension control LED floodlights, see page 30.

iDX 50 LED recessed floodlight

Top model for lighting larger ponds and pools.

Type	Power consumption W	Voltage V	Cable m	Colour K	Lighting angle	Class IP	Body	Art. no.
iDX 50	50	24 V-DC	7.5 / 1.1	3000	120°	68	316 L	301037

Flange diameter	Installation diameter	Total length	Power cable	Outer cable diameter
ø 140 mm	ø 110 mm	50 mm	2 x 0.75 mm ²	ø 7 mm - H05RN-F



- 4 High-power COB LEDs, warm white, manufacturer Cree®.
- Solid 316 L stainless steel housing.
- Fixed cast-in cable connection prevents penetration of moisture.
- 24 V-DC direct voltage.
- Built-in pole changing protection.
- Dimmable (with optional LED dimmer).
- Build in iDX 50 with 110 wall duct
Art.no. 901085 and cable sealer art.no. 901047.
- CE/EMC/RoHS certified.

Warranty

Three-year warranty in accordance with the General Conditions.

Optimum illumination up to (m)							
Type	1	2	3	4	5	6	
iDX 50							

Control LED lighting, see from page 22.

Recessed WDX 8 LED floodlight

Accent recessed spotlight, mounting in combination with wall duct set WDM 50.

Type	Power consumption W	Voltage V	Cable m	Colour K	Lighting angle	Class IP	Body	Art. no.
WDX 8	8	24 V DC	7.5	3000	120°	68/1 m	316 L	301034

Flange diameter	Installation diameter	Total length	Power cable	Outer cable diameter
ø 45 mm	ø 30 mm	50 mm	2 x 0.75 mm ²	ø 7 mm - H05RN-F



- High-Power LED warm white 3000 K.
- Housing solid 316 L.
- Fixed cast-in cable connection prevents penetration of moisture.
- Cast-in LED Chip.
- 24 V-DC (safe low voltage).
- Built-in polarity protection.
- Dimmable (with optional LED dimmer).
- Build in with wall duct set WDM 50 art. 901044.

Warranty

Three-year warranty in accordance with the General Conditions.

Optimum illumination up to (m)							
Type	1	2	3	4	5	6	
WDX 8							

Control LED lighting, see from page 22.

Recessed WDX 15 LED floodlight

Powerful recessed spotlight, mounting with wall duct WD 50 and cable sealer.

Type	Power consumption W	Voltage V	Cable m	Colour K	Lighting angle	Class IP	Body	Art. no.
WDX 15	15	24 V DC	7.5	3000	120°	68/1 m	316 L	301031

Flange diameter	Installation diameter	Total length	Power cable	Outer cable diameter
ø 120 mm	ø 50 mm	70 mm	2 x 0.75 mm ²	ø 7 mm - H05RN-F



- High-Power LED warm white 3000 K.
- Housing solid 316 L.
- Fixed cast-in cable connection prevents penetration of moisture.
- Cast-in LED Chip.
- 24 V-DC (safe low voltage).
- Built-in polarity protection.
- Dimmable (with optional LED dimmer).
- Build in with wall duct WD 50 art. 901045 and cable sealer 901047.

Warranty

Three-year warranty in accordance with the General Conditions.

Optimum illumination up to (m)						
Type	1	2	3	4	5	6
WDX 15						

Control LED lighting, see from page 22.

WDX 50 recessed LED floodlight

Strong recessed floodlight for larger ponds and pools, mounting with wall passage 110 and cable sealer.

Type	Power consumption W	Voltage V	Cable m	Colour K	Lighting angle	Class IP	Body	Art. no.
WDX 50	50	24 V DC	7.5	3000	120°	68/1 m	316 L	301032

Flange diameter	Installation diameter	Total length	Power cable	Outer cable diameter
ø 180 mm	ø 110 mm	30 mm	2 x 0.75 mm ²	ø 7 mm - H05RN-F



- High-Power LED warm white 3000 K.
- Housing solid 316 L.
- Fixed cast-in cable connection prevents penetration of moisture.
- Cast-in LED Chip.
- 24 V-DC (safe low voltage).
- Built-in polarity protection.
- Dimmable (with optional LED dimmer).
- Build in with wall duct 110 art. 901085 and cable sealer 901047.

Warranty

Three-year warranty in accordance with the General Conditions.

Optimum illumination up to (m)						
Type	1	2	3	4	5	6
WDX 50						

Control LED lighting, see from page 22.

Overview of required parts for assembly of recessed iDX and WDX LED floodlight



Required for each spotlight	iDX 6 and WDX 8	iDX 15 and WDX 15	iDX 50 and WDX 50	Art. no.
Wall duct WD 50	1	1	–	901045
Adjustable water inlet	1	–	–	901046
Cable seal 6 > 10 mm	1	1	1	901047
PVC pipe ø 50 mm	1	1	–	904099
PVC glued socket ø 50 mm	1	1	–	901022
Wall duct ø 110	–	–	1	901095
PVC reducer ø 110 x 50	–	–	1	904165
PVC pipe ø 110 mm	–	–	1	904102

The 50 and 110 PVC pipes are delivered in standard lengths and must be cut to the right length. 1 to 2 metre of the total cable length should be fitted in the pipe for the cable seal. The spotlight can easily be removed from the wall duct if necessary.

Cable seal



Adjustable water inlet



Wall duct 50



Thick-walled wall duct





Water and electricity must be installed with great care, safety is paramount and so the correct fittings and installation materials must be used.

AUGA's installation materials are suitable for use indoors and outdoors, and underwater where specified.



Installation technology

Power Control WW Basic controller for LED LSX-WW, iDX and WDX floodlights

Plastic cabinet with built-in driver.

Type	Dimensions mm	Driver W	Max. connectable LED power W	Connection voltage		Art. no.
				Primary	Sec.	
Power Control 100	240 x 160 x 90	100	70	230 V/AC	24 V/DC	FT90316
Power Control 240	290 x 240 x 110	240	170	230 V/AC	24 V/DC	FT90330

Technical specifications

- Plastic cabinet (anthracite or grey) suitable for outdoor/ wall-mounted IP 65.
- Driver (transformer) for LED floodlights LSX-iDX and WDX.
- 1.5 m power cable (230 V) with plug.
- PG union for connection of floodlight cable.

Warranty

Three-year warranty in accordance with the General Conditions.

Extension control LED floodlights, see page 30.



LED drivers for LED LSX-WW iDX and WDX floodlights

Simplified version of Power Control, application mainly as a recessed component, but can also be used for outdoor installation.

Type	Dimensions mm	Driver W	Max. connectable LED power W	Connection voltage		Art. no.
				Primary	Sec.	
LD-30	274 x 55 x 67	30	22	230 V/AC	24 V/DC	FT90352
LD-60	274 x 55 x 67	60	45	230 V/AC	24 V/DC	FT90353
LD-100	282 x 61 x 100	100	70	230 V/AC	24 V/DC	FT90354

Technical specifications

- Driver (transformer) for LED warm white floodlights.
- LD-30 and LD-60 plastic housing.
- LD-100 Aluminium housing.
- Protection class IP 67 (outdoor installation).
- 1 m 230 V power cable with plug.
- 24 V power cable approx. 0.2 m with 2 free cores.
- 3-year warranty.



Power Control RGBW Basic control for LED LSX-RGBW floodlights

Plastic cabinet with RGBW controller and remote control.

Type	Dimensions mm	Driver W	Max. connectable LED power W	Connection voltage		Art. no.
				Primary	Sec.	
Power RGBW Control 100	240 x 160 x 90	100	70	230 V/AC	24 V/DC	FT90319
Power RGBW Control 240	290 x 240 x 110	240	170	230 V/AC	24 V/DC	FT90333

Technical specifications

- Plastic cabinet (anthracite or grey) suitable for outdoor/wall-mounted IP 65.
- Driver (transformer) for LED LSX-RGBW floodlights.
- RGBW controller, cabinet-mounted with dimmer function / fixed colour selection / colour change selection / colour change speed selection, operation with supplied remote control up to approx. 20 metres distance without obstacles.
- 1.5 m power cable with plug.
- PG union for connection of floodlight cable.
- Prepared for app control.

Warranty

Three-year warranty in accordance with the General Conditions.

Extension control LED floodlights, see page 30.

Power Control RGBW



Waterproof junction box

Ground cable box for electrical cable connections.

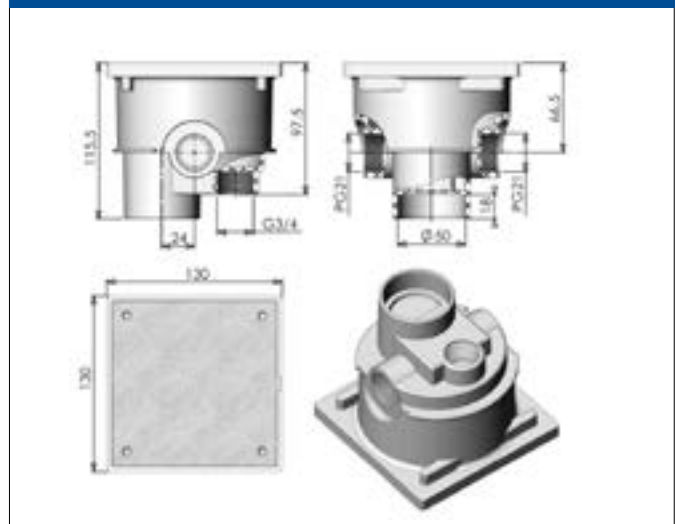
Type	Dimensions mm L x W x H	Connections	Colour	Art. no.
GBZ 1	130 x 130 x 97.5	3 x ¾" int. thr. 1 x 50 mm adhesive	Anthracite	909024

- Ground cable box incl. 2 PG glands.
- Total of 3 connections ¾" for PG glands, 1 pipe connection 50 mm.
- Made of UV-resistant ABS.

Cable box GBZ 1



Cable box GBZ 1



Watertight branch boxes

Collection box for electrical cables.

Type	Cable diameter mm	Material	Number PG unions	Dimensions l x W x H mm	Immersion depth max. m	Art. no.
Connect 4-6	6 - 10	Plastic	4	88 x 75 x 46	1	909022
Connect 4-12	12 - 15	Plastic	4	120 x 120 x 65	1	909023

- Waterproof to 1 metre immersion depth (protection class IP 68).
- Screw terminal block not included with delivery.
- Material plastic black.

Connect junction box



Connect junction box



Watertight cable connectors

Type	Cable diameter mm	Material	Number PG unions	Dimensions l x W x H mm	Immersion depth max. m	Art. no.
Mini box 4	7 - 14	Plastic	4	108 x 65	10	909013
Mini tube 2	7 - 12	Plastic	2	68 x 23	10	909012

- Waterproof to 10 metres immersion depth.
- Incl. screw terminal block.
- Industrial quality.
- 4-pin cable connectors.
- Material plastic black.

Mini tube 2, single cable connector



Mini box 4-fold cable connector



Installation column 500

Lockable installation column, suitable for outdoor installation.

Type	Overall dimensions of column W x D x H mm	Colour	Art. no.
IZZ 500	505 x 251.5 x 1170.5	Black	FT90951

Application

Universal installation column for housing electrical components and devices. The column can be partially buried.

Construction

- Cabinet of 1.5 mm stainless steel 441, black coated RAL 9005.
- Mounting plate of shuttering plywood, 430 x 15 x 600 mm.
- Lockable.

Expansion options

- Ventilation grilles.
- Other RAL colours.

Example of installation column 500



Wall sockets with main switch

Wall-mounted distribution box made of impact-resistant plastic with hinged window.

Type	Number power strips	Max. total power W	Voltage V/Hz	Art. no.
Wall-mounted distribution box 4	4	3000	230/50	FT90342
Wall-mounted distribution box 8	8	3000	230/50	FT90343

Technical specifications

- Suitable for outdoor set-up.
- Splash-proof IP 54.
- 1 Main switch switches off all sockets.
- Expandable with e.g. timer and flows witch.
- PG union for connecting main power cable.

Wall-mounted distribution box 4



Wall-mounted distribution box 8



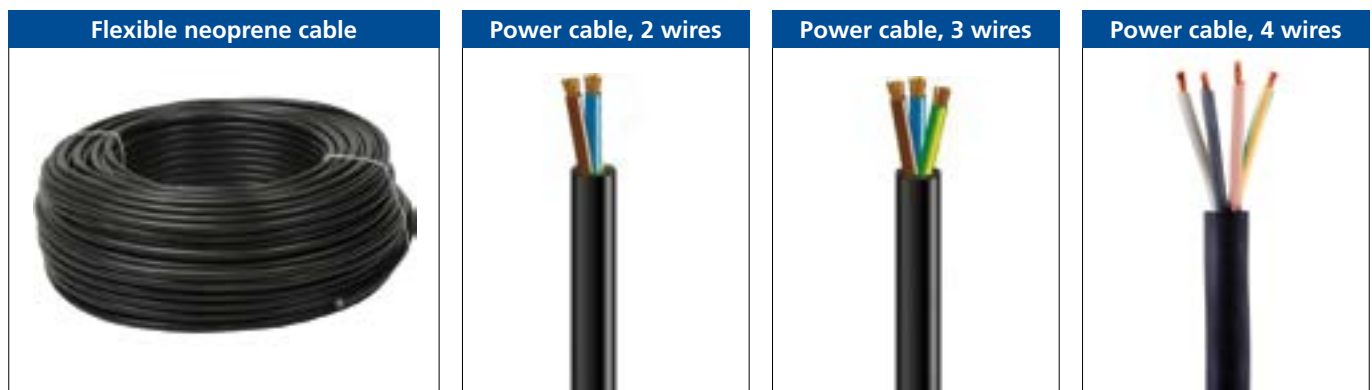
Neoprene power cable H07 RNF

Neoprene power cable for connecting different electrical devices or extending power cables.

2-core cable H 07 RNF		3-core cable H 07 RNF		4-core cable H 07 RNF		5 core cable H 07 RNF	
Dimensions	Art. no.	Dimensions	Art. no.	Dimensions	Art. no.	Dimensions	Art. no.
2 x 1.0 mm ²	909019	3 x 6.0 mm ²	909003	4 x 1.5 mm ²	909011	5 x 1.5 mm ²	909020
2 x 1.5 mm ²	909006	3 x 1.5 mm ²	909004	4 x 2.5 mm ²	909014	5 x 2.5 mm ²	909021
2 x 2.5 mm ²	909005	3 x 2.5 mm ²	909017	4 x 4.0 mm ²	909015		
2 x 4.0 mm ²	909016	3 x 4.0 mm ²	909018				

Application

- Power cable for lighting, pumps, transformers.
- Buried cable only permitted for low voltage (12 - 24 V).
- Suitable for use in wet conditions.



Cable length chart for connecting 24 V LED lighting

Power consumption W	Max. permissible length m	Conductor cross-section mm ²				
		1.0	1.5	2.5	4.0	6.0
20	Length m →	35	50	90	150	220
30	Length m →	25	35	60	100	150
60	Length m →	10	20	30	50	65
100	Length m →	–	10	20	30	45
120	Length m →	–	8	15	25	35
150	Length m →	–	–	10	20	30
240	Length m →	–	–	–	12	18

Max. cable length in metres between power supply and LED floodlight 24 V calculated at a max. voltage drop of 5%.

Scope of delivery and expansion options

Control units for pumps		
Description/function	Pump	Pump
Design	230 V	400 V
Pump		
20 m power cable for pump ¹	✓	✓
Pump control 230 V		
Capacitor box with on/off operating switch (except AT15/AT30/AT35)	✓	–
Extension options pump control 230 V		
Digital timer for pump	Optional	–
Frequency converter for adjustment capacity/fountain height	Optional	–
Working switch pump on 0 timer	Optional	–
Basic control pump 400 V		
Control box with motor protection and working switch on off	–	Optional
Expansion options for pump control 400 V		
Digital timer for pump	–	Optional
Working switch pump on 0 timer	–	Optional
Frequency converter for adjustment capacity/fountain height	–	Optional

✓ = Included in delivery.

¹ = Extension of power cable possible.

Controls for pump and lighting are merged in one control box.

Controllers for LED lighting		
LED lighting	Warm/White	RGBW
20 m power cable for light ²	✓	✓
Basic control LED lighting set, Primary 230 V or 400 V, secondary 24 V DC		
230 V: Transformer 230/24 V 400 V: The supply cable must have a 0 line (3 Ph-0-A) if present, control is adjusted accordingly	✓	✓
Remote control	Optional	✓ ¹
Dimming LED lighting	Optional	✓ ¹
Colour choice and colour change RGBW programme	–	✓ ¹
Touchscreen RGBW (in control box)	–	Optional
Selection table extension timers for lighting		
Digital timer for lighting	Optional	Optional
Timer with light sensor (on cabinet or external, with 5-metre cable)	Optional	Optional
Digital Astro time clock (switches on at sunset)	Optional	Optional
Working switch for lighting on 0 timer	Optional	Optional

If a timer is chosen for pump and lighting, we build in 1 combination timer.

Basic control unit	Pump	Pump + lighting
Plastic, anthracite or grey, splash-proof, wall-mounted	✓	✓
Choice of control unit version		
Lockable with lock	Optional	Optional
Steel cabinet, splash-proof	Optional	Optional

✓ = Included in delivery.

¹ = Remote control up to max 20 m, without obstacles.

² = Extension of power cable possible.

Controls for pump and lighting are merged in one control box.

Light and water: an excellent duo



No fountain without lighting! Light and water are a wonderful duo. We always use LED technology. It is not only extremely economical with regard to energy consumption, but also extremely versatile in terms of colours, colour changes and colour programmes.



AUGA 2024

Further developments and technical changes without notice.

Typesetting and printing errors do not constitute grounds for compensation. Full or partial reproduction of this publication in any shape or form is prohibited without the prior written consent of Auga.

AUGA® is a registered trademark.



Winkelskamp 13
7255 PZ Hengelo (Gelderland)
The Netherlands
Tel.: +31 (0) 575 46 80 20
info@auga.nl
www.auga.nl

